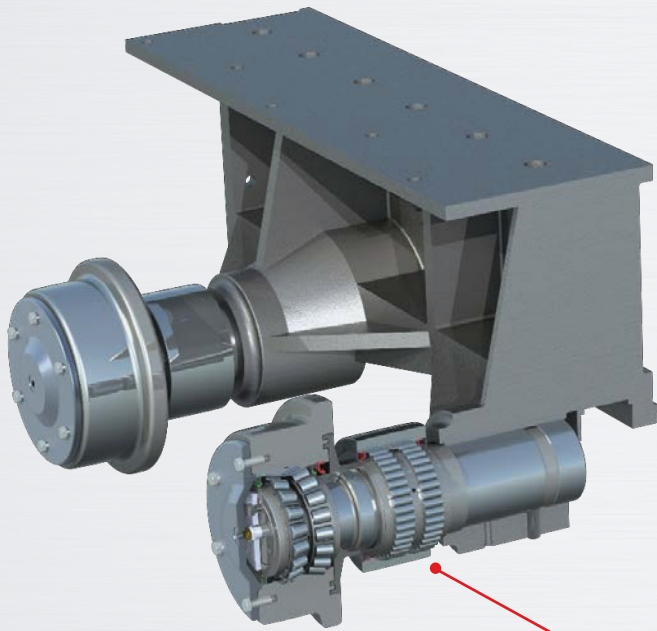


ACB 722902 Indexing Roller Bearing for iron ore pelletizing plants



Advantages

Outer Ring with higher Fatigue Strength (2 times min.) than Rings made of through hardened bearing steel.

Higher Impact Load Resistance.

Better sealing under any operation conditions.

Easy relubrication without bearing disassembly.

ACB 722902 Bearing Characteristics

Outer Ring made of forged and case-hardened bearing steel with highest cleanliness.

Super finished bearing raceways.

Rollers with improved contact profile, dimensioned to maximize the load capacity.

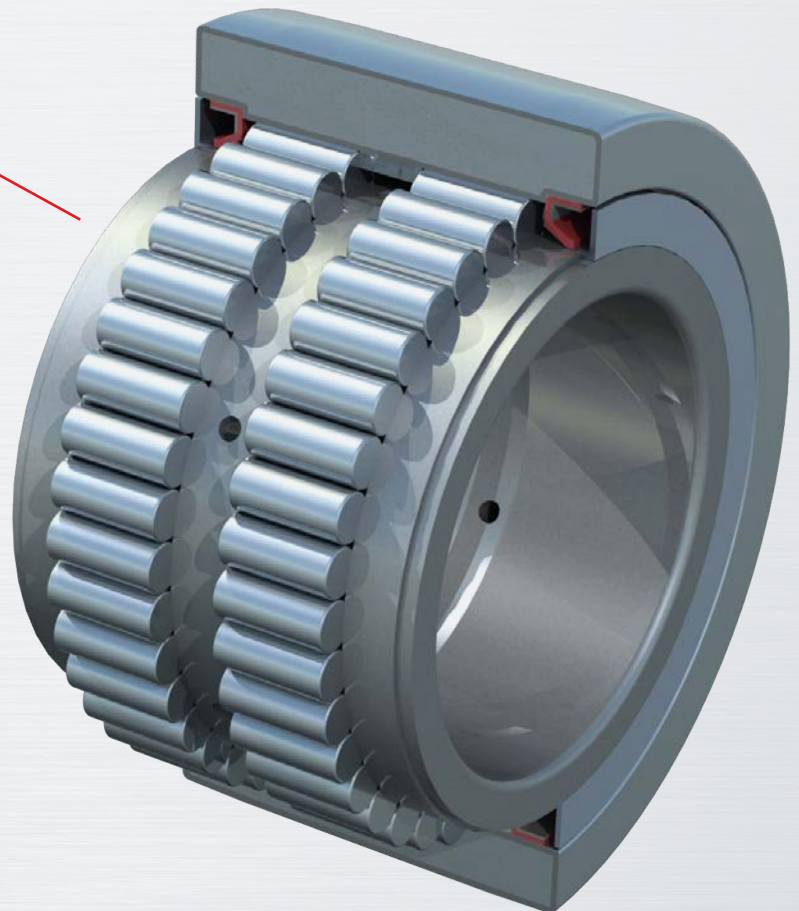
Internal design with increased space for lubricant.

100% Relubrication capability.

Viton seals with external steel shields.

Filled with high temperature SKF grease.

Non-separable bearing.



ACB 722902 Indexing Roller Bearing

Case carburized surface with high hardness and wear resistance

High retained Austenite.
Significantly lower stress concentration due to indentation of hard particles and debris.
High resistance to impact loads.
Long service life due to residual compression stresses.

Improved contact profile on rollers

With bigger diameter and length for maximum load capacity.

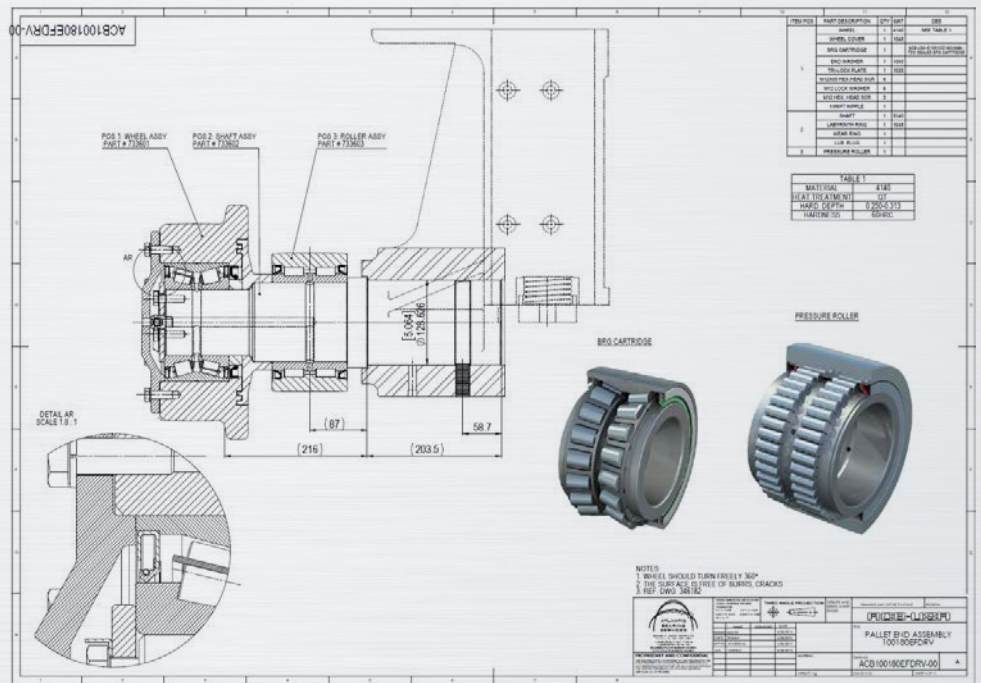
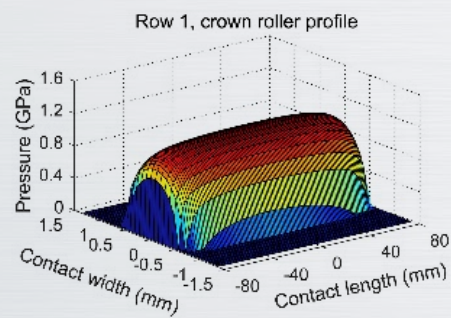
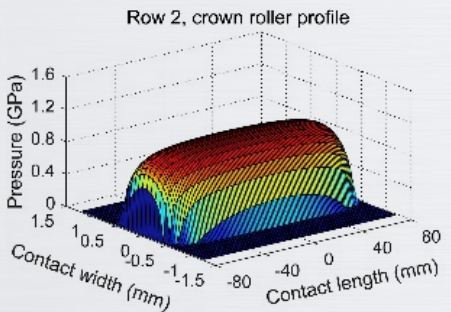
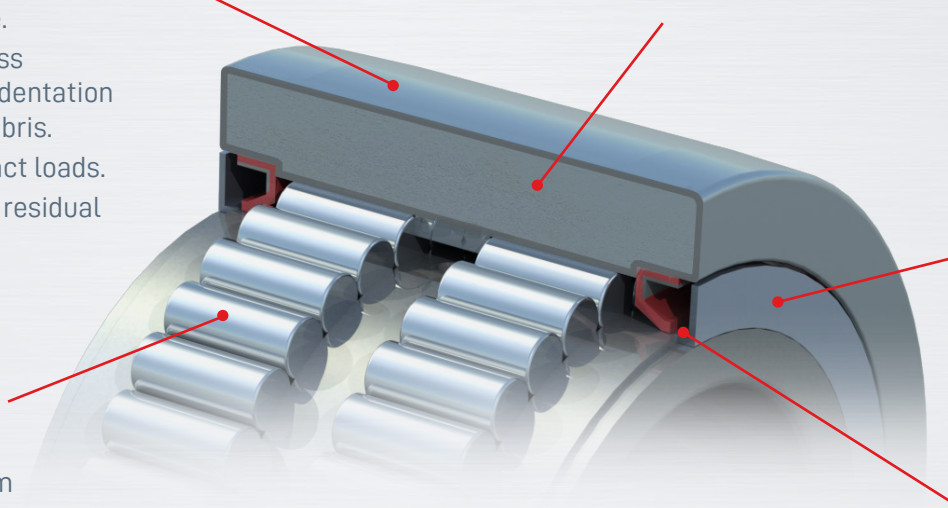
Soft Core

High impact load resistance.
Prevents the spread of cracks to the surface.

Steel Shields

Protect the Viton seals, permanently protect from contamination ingress and allow the old grease discharge.

High efficiency Viton seals.



Atlantic Bearing Services 8208 NW 30th Ter Miami, FL 33122 USA
ph 1.305.592.4404 | sales@atlantic-bearing.com | atlantic-bearing.com

Argentina - Bolivia - Brazil - Canada - Chile - China - Colombia - Costa Rica - Dominican Republic
Ecuador - El Salvador - Guatemala - Honduras - Italy - Mexico - Nicaragua - Panama - Peru - Spain - USA