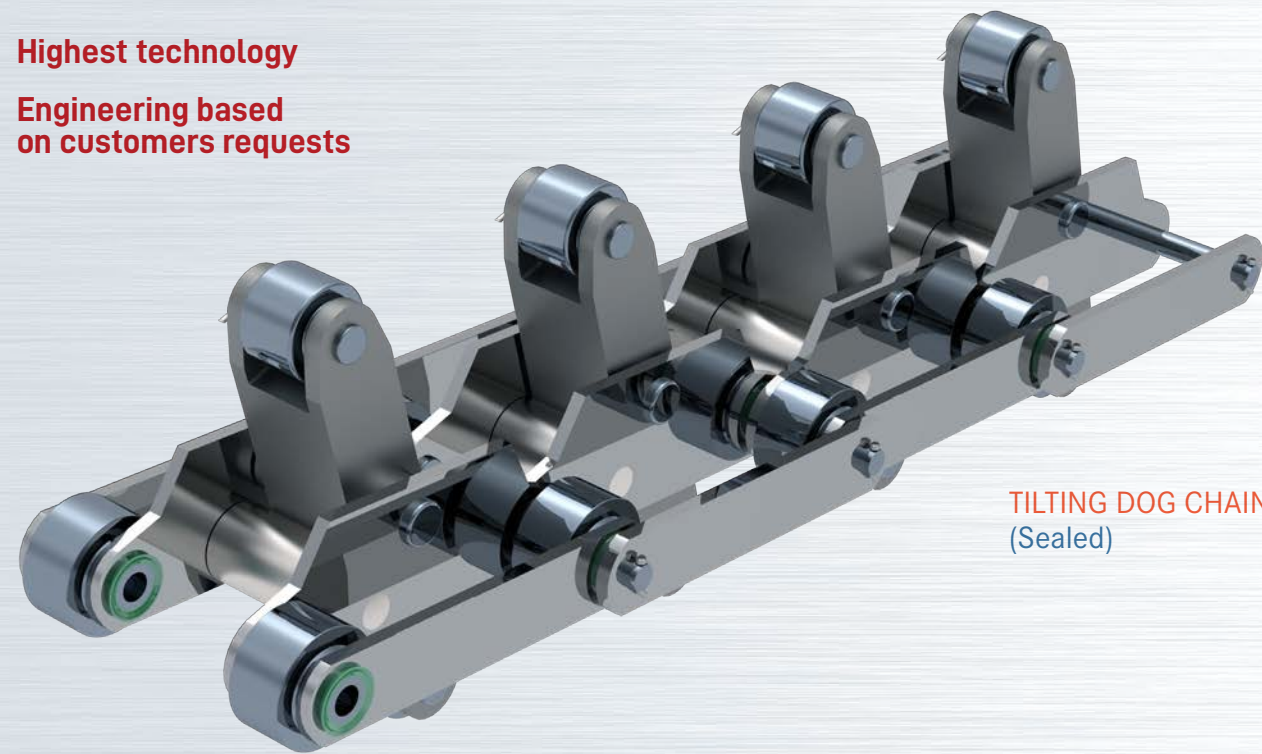
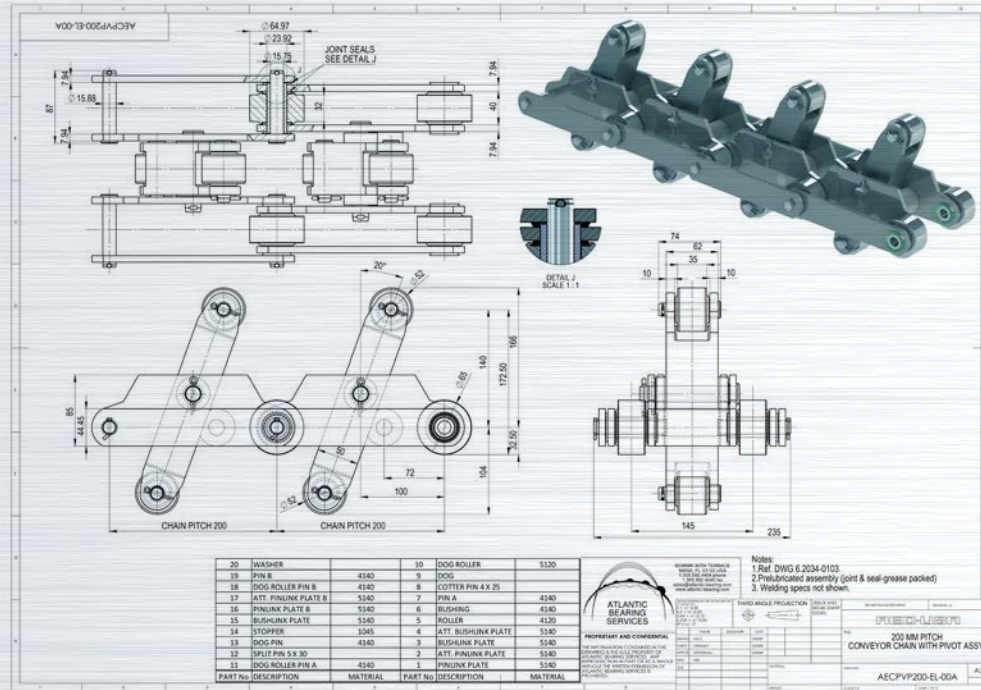


## Quality

AEC-USA Engineering chain is widely used in Cement and Mining Industries. Its expertise, developed through years of flexible design and manufacturing, adapts to any requirement of today's most demanding conveying applications, from handling large capacities of bulk materials to severe conveying of heavy abrasive minerals with continuous service.

## Highest technology

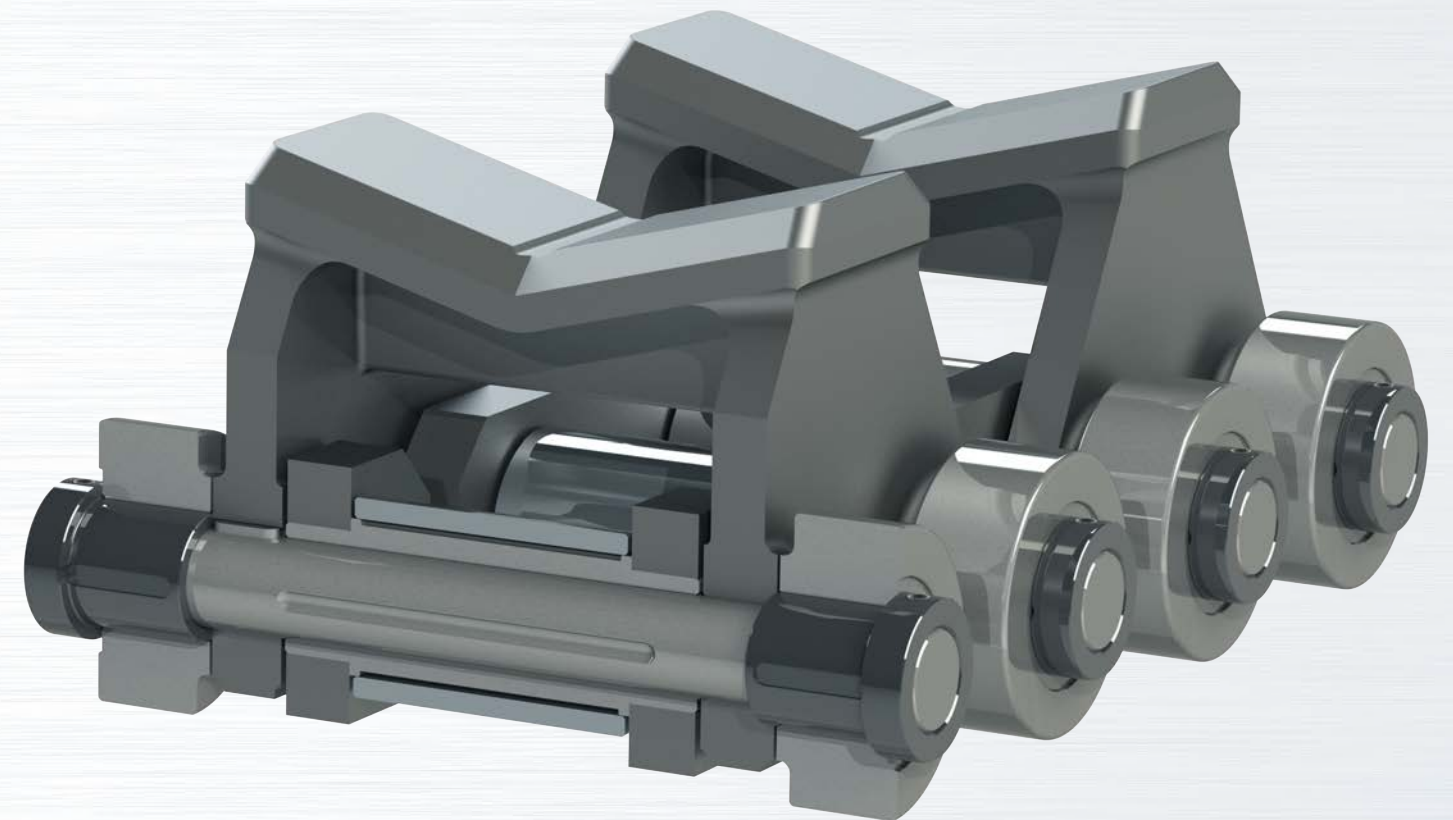
Engineering based on customers requests



TILTING DOG CHAIN  
(Sealed)

# ENGINEERING CHAINS

*For the Steel Industry*



ATLANTIC BEARING SERVICES LLC. 8208 NW 30th Terrace Miami, FL 33122 USA  
ph 1.305.592.4404 / fax 1.305.592.4540 / sales@atlantic-bearing.com / www.atlantic-bearing.com

Argentina - Bolivia - Brazil - Chile - China - Colombia - Costa Rica - Dominican Republic - Ecuador  
El Salvador - Guatemala - Honduras - Italy - Mexico - Nicaragua - Panama - Peru - Spain - USA

Argentina - Bolivia - Brazil - Chile - China - Colombia - Costa Rica - Dominican Republic - Ecuador  
El Salvador - Guatemala - Honduras - Italy - Mexico - Nicaragua - Panama - Peru - Spain - USA

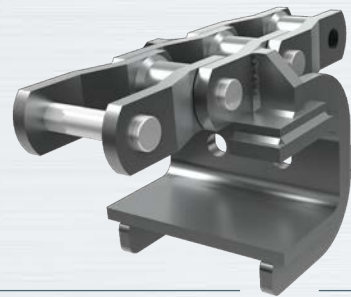


## Engineering Chains for the Mining Industry

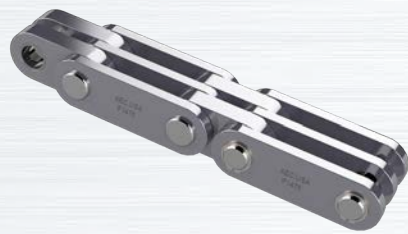
AEC-USA Chains emerge as a new highly engineered chain in the market and are designed to ensure the highest quality and performances. We manufacture many types of chains including Drop Forged Reivetless, Steel Roller Conveyor, Cast Combination, Welded Steel chains and others. Every AEC Chain Component is manufactured using the highest quality of steels or alloy steels.

AEC chains receive a proper heat treatment in order to achieve the right balance between resistances to shock loading forces and long wear life. Our main goal is to offer our customer a personalized solution which ensures long-lasting and cost effective chains for your Mining applications.

## Products



1 BRIDGE SCRAPER RECLAIMER



2 45 TON DRAW BENCH CHAIN  
Dual Pitch



3 AERIAL CONVEYOR



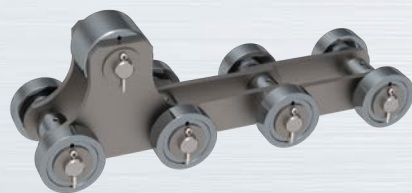
4 BD DRAG CHAIN  
Special Attachment



5 COOLING BED CHAIN  
With Pusher Dog



6 DROP FORGED CHAIN



7 COOLING BED CHAIN  
Bronze Bushed Rollers and Wheels



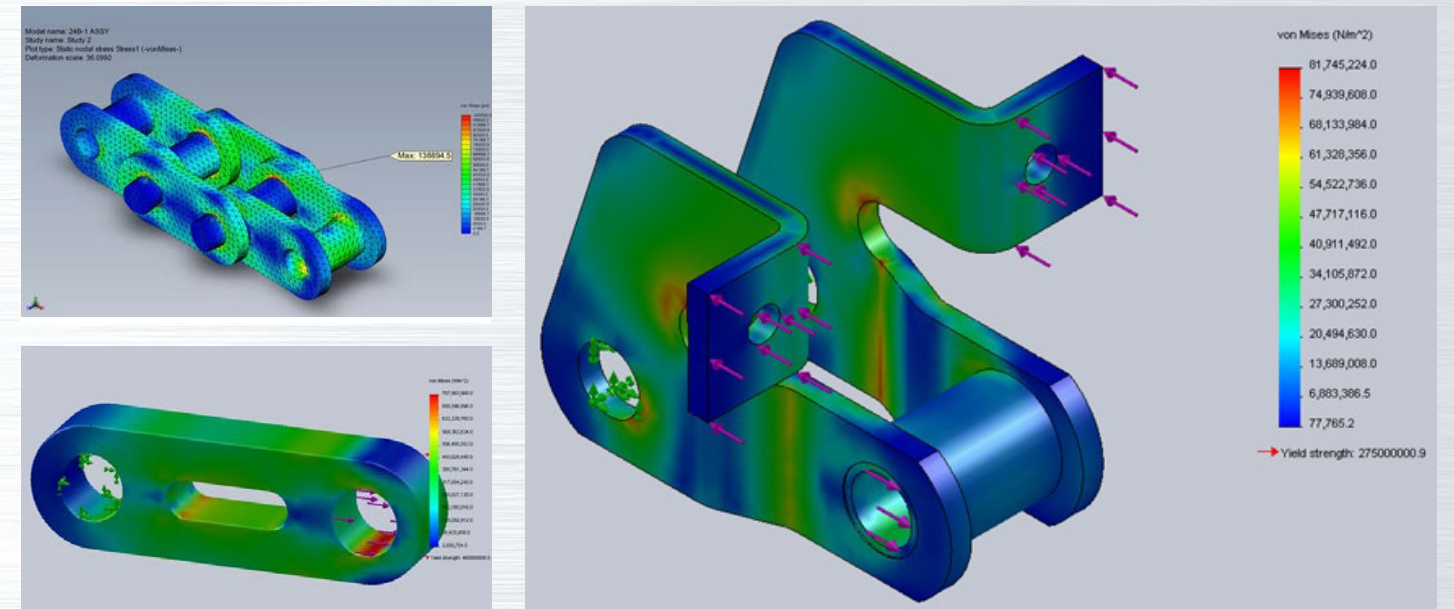
8 AERIAL CONVEYOR CHAIN  
Wire Coil Carrier



9 COIL CARRIER CHAIN  
With SP Hook

## FEM Analysis

Solidworks®, AutoCad® and FEM analysis are CAD tools integrated in the design and development process of AEC-USA design and development process. Today our Simulations and 3D models guarantee our prototypes are tough enough to withstand extreme conditions of most demanding conveying applications.



## Applications

